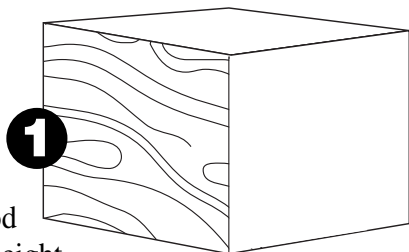
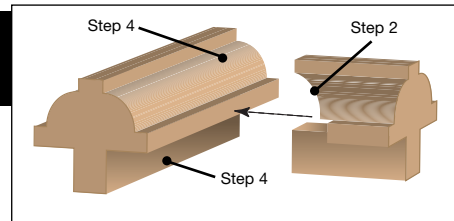
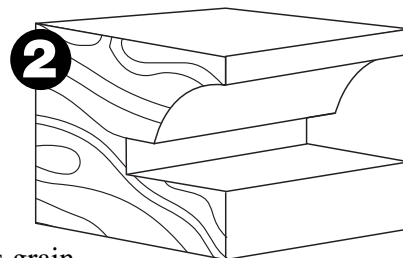


3 PIECE MATCHING GLASS DOOR SET

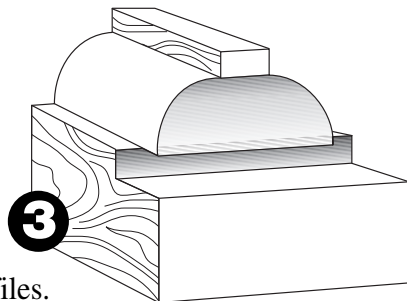
For Router Table Use Only



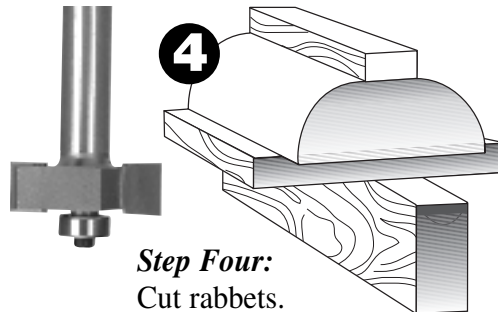
Step One:
Prepare wood to finished height, width and length.



Step Two:
Cope cut the ends (rails) on the cross grain.



Step Three:
Cut stile profiles.



Step Four:
Cut rabbets.