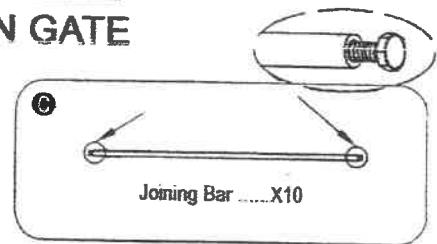
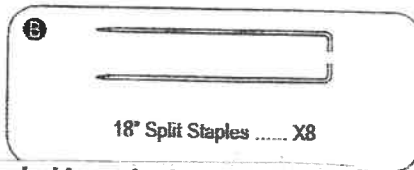
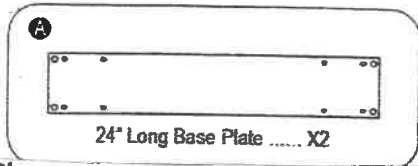


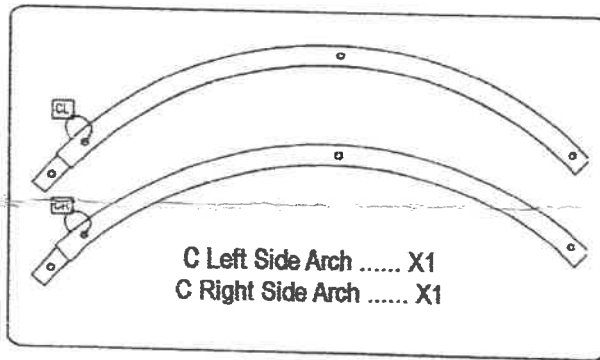
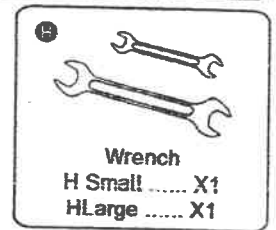
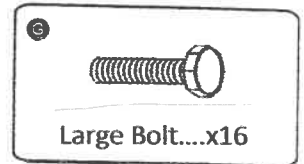
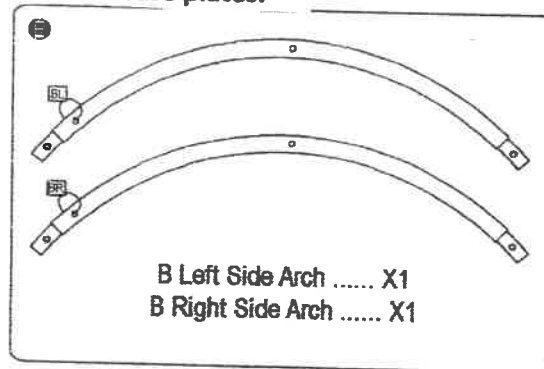
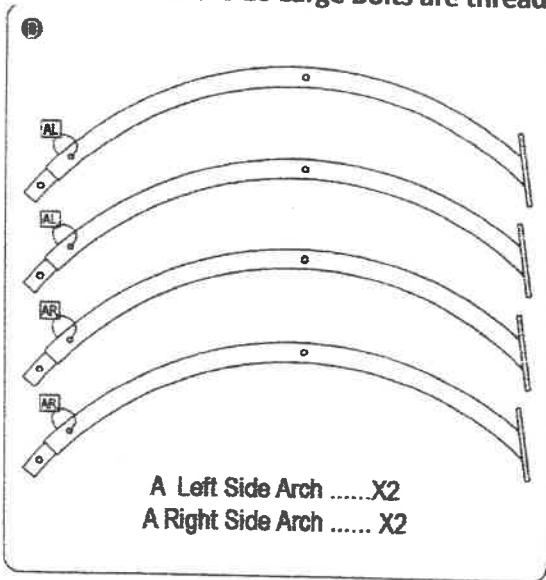
KINSMAN COMPANY

ASSEMBLY & SET UP OF THE MOON GATE

Includes



****Please note the 16 Large Bolts are threaded into the base plates.****



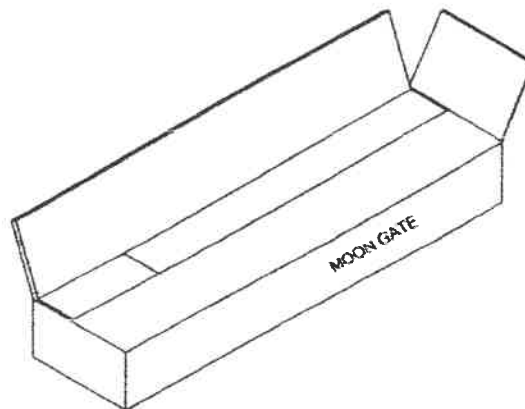
Two people are needed for assembly & set up of the Moon Gate. Assemble the complete unit as close to its final location.

Once built, it is very heavy and difficult to move.

Assemble the Moon Gate face down on the ground and follow the steps as shown in the following pictures.

STEP 1 :

Unpack your Moon Gate.
Check all items with the listing charts above.



Call Toll Free (24 hours a day) 1-800-733-4146 - Customer Service (Monday-Friday, 9am-5pm EST)
E-Mail: kinsco@kinsmangarden.com

KINSMAN COMPANY

ASSEMBLY & SET UP OF THE MOON GATE

STEP 2 :

Keep arch (AL)x2, (BL), (CL) on the ground as shown in figure 1. Note the paper labels to help you identify and assemble the correct pieces. Push smaller tube ends into larger sockets, then align drill holes.

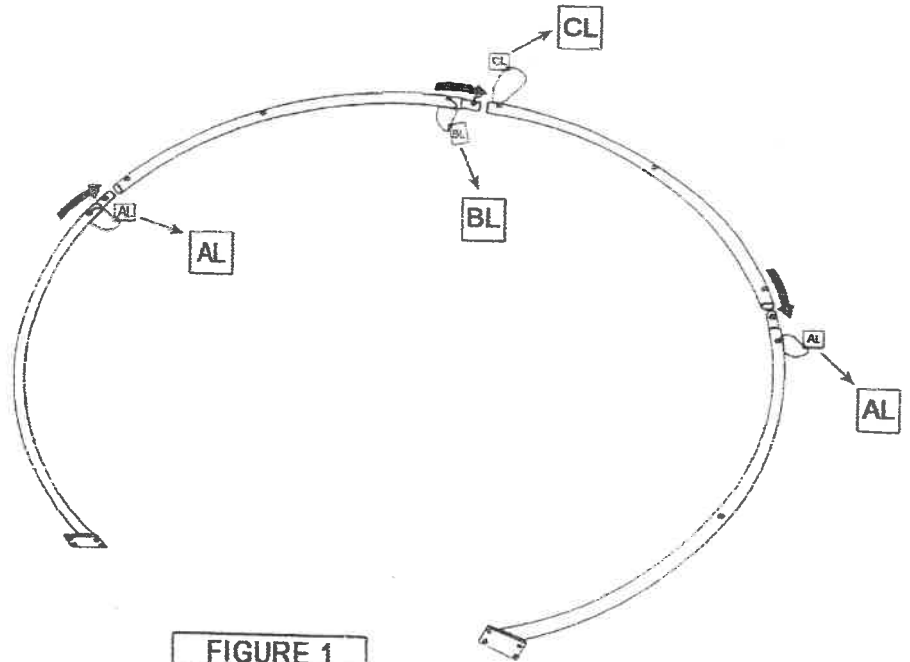


FIGURE 1

STEP 3 :

Remove the pre fitted bolts from the joining bars. Insert the 10 joining bars through the larger holes in joints until they rest against the inside outer walls of the tubes. Insert bolts from below into threaded bars and tighten (figure 2).

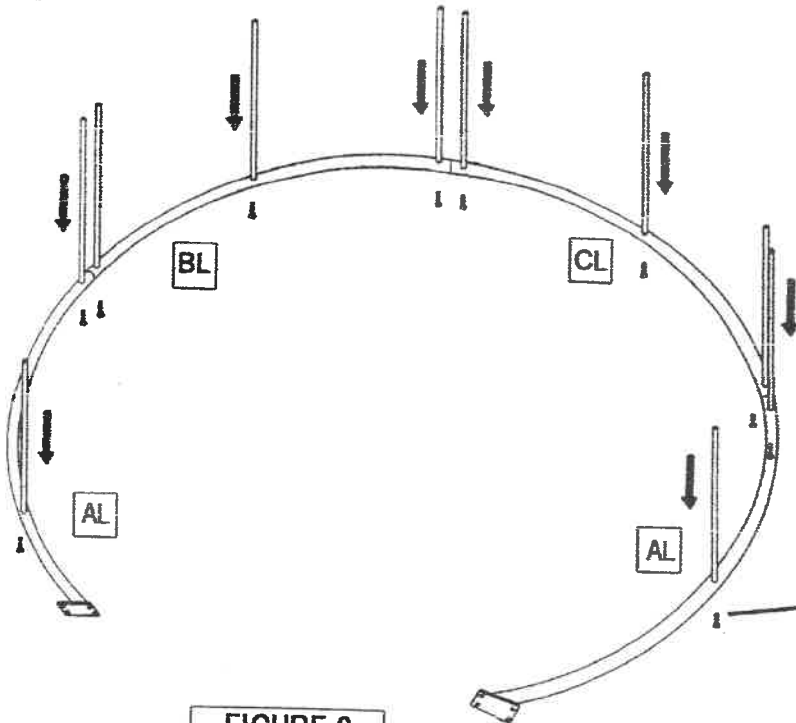
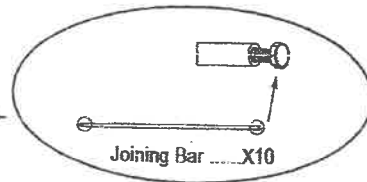


FIGURE 2



ASSEMBLY & SET UP OF THE MOON GATE

STEP 4 :

Now, join the second curved arch together with the help of two people. Place the second arch on top of the joining bars. Insert bolts into female threads of joining bars then tighten with a wrench, as shown in figure 3. (tighten all 20 bolts twice to secure)

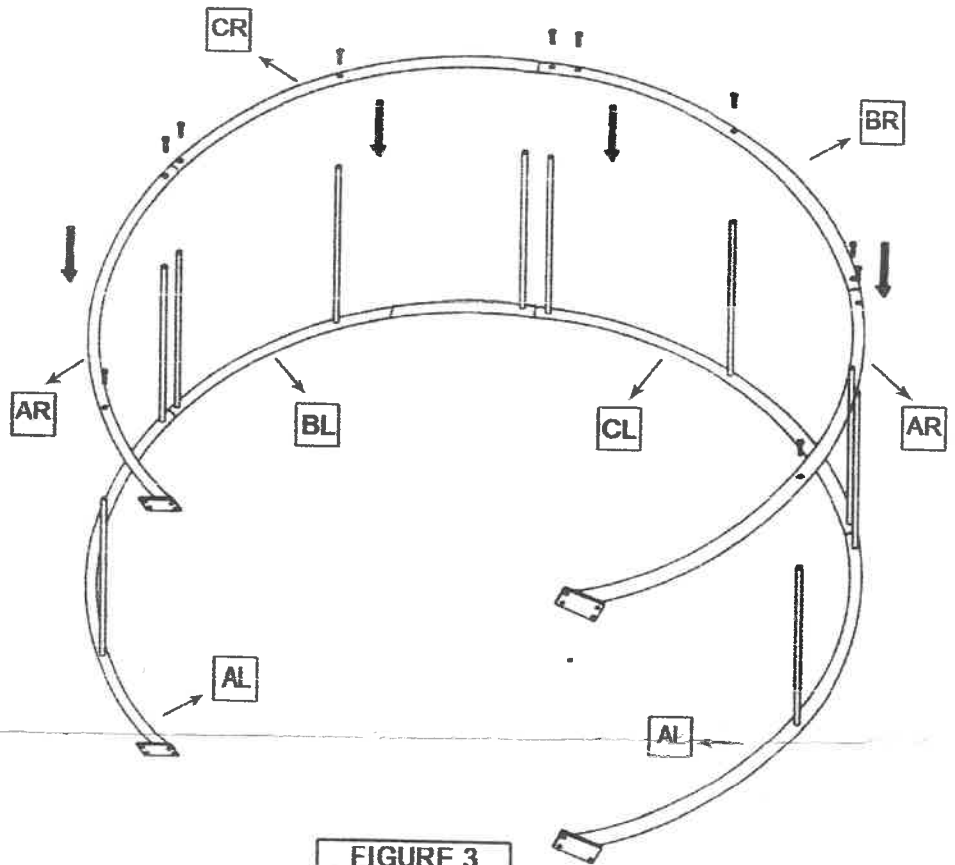


FIGURE 3

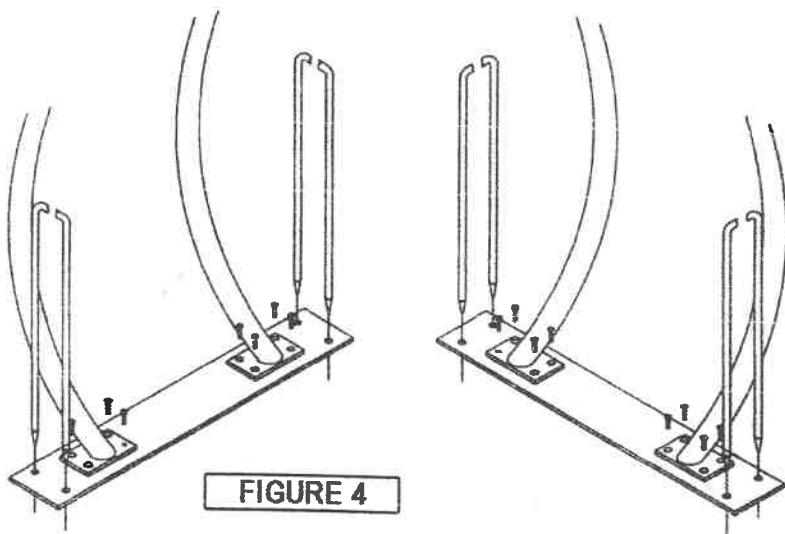
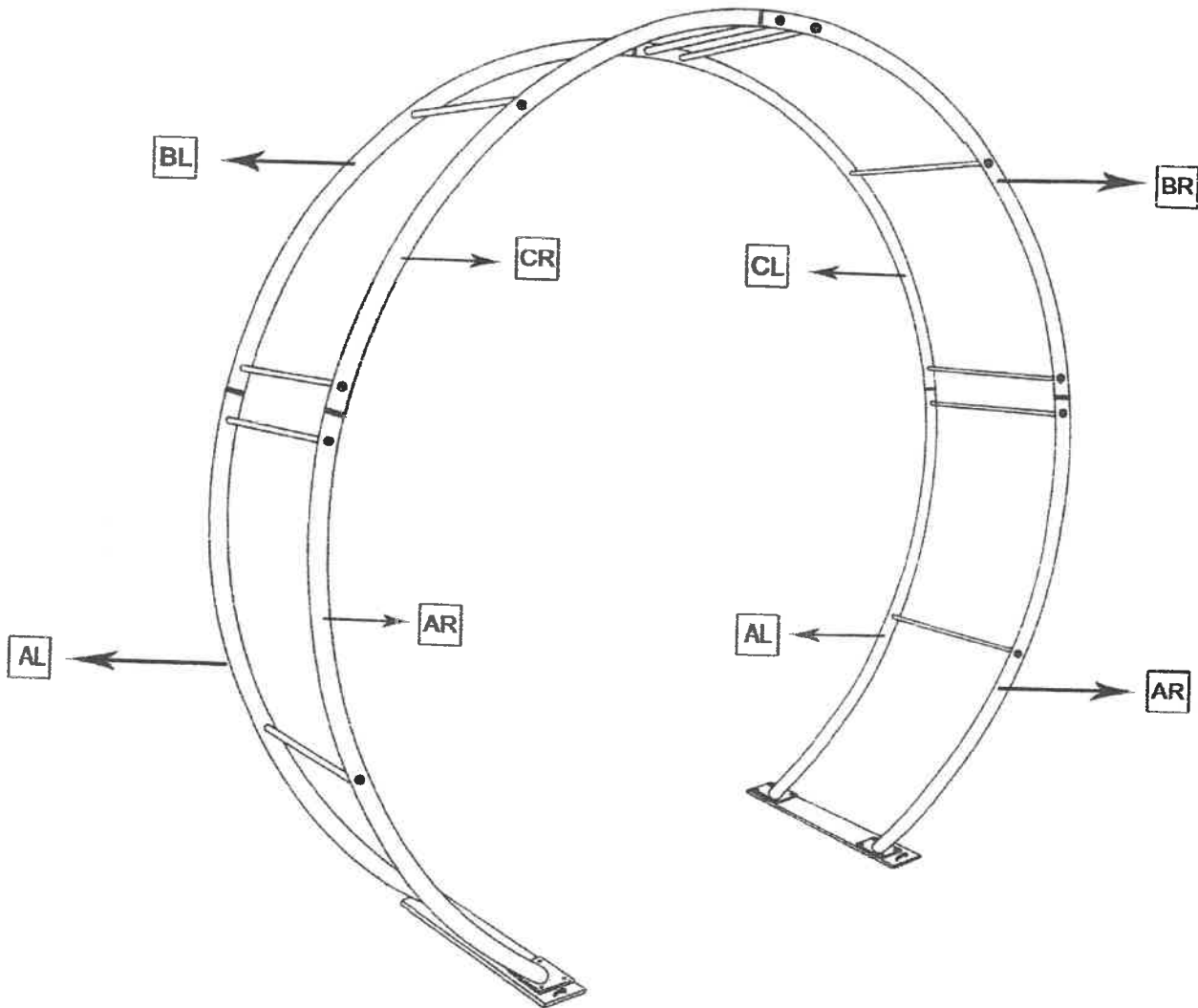


FIGURE 4

STEP 5 :

Stand the arch in the upright position. Fasten end onto base plate then tighten bolts on base plate. Move the Moon Gate into its permanent position. Drive ground staples through the base plate into the ground for stability, as shown in figure 4.

ASSEMBLY & SET UP OF THE MOON GATE



Now your Moon Gate Arch is complete.