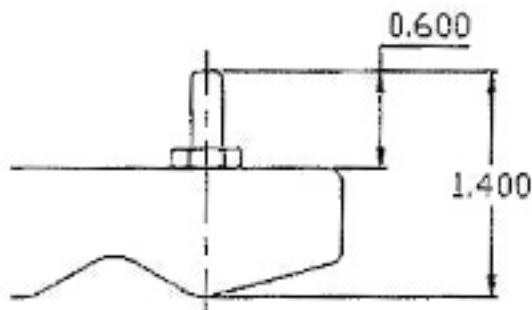
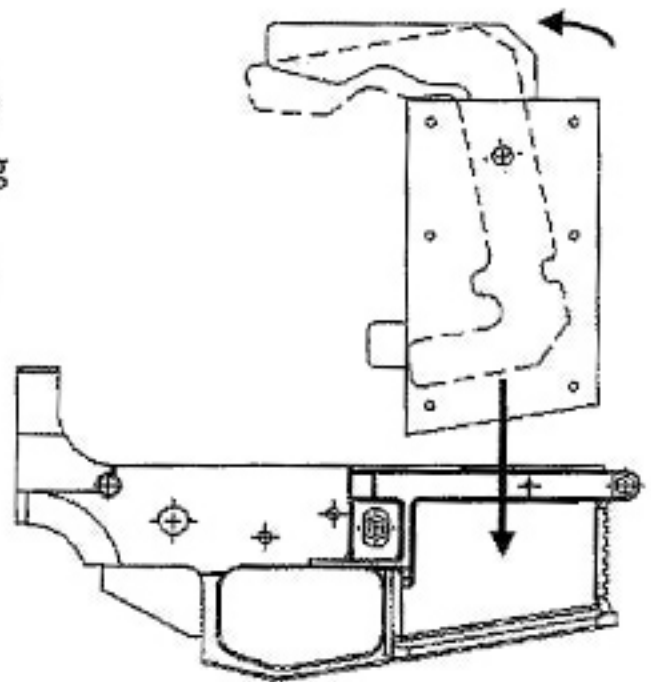


INSTALLATION

1. Ensure that the rifle is unloaded, the hammer is cocked, and safety on.
2. Release the rear takedown pin and remove the bolt carrier. (The charging handle can remain in the rifle.)
3. Tilt the upper receiver a full 90° (If your handguard prevents the upper from rotating 90°, you must remove the upper.)
4. With one hand, push and hold the lever so the button retracts into the body of the Dry Fire Device (DFD).
5. Insert the DFD into the rifle through the top of the lower receiver. (The mag catch must be pressed)



USE WITH ELECTRONIC TRAINERS

The DFD can be used with Electronic Trainers such as a SCATT or Noptel. The nut and screw are provided to ensure that the E-Trainer can reliably detect the shot. The screw contacts the underside of the charging handle and the vibration is transferred to the upper receiver.

1. Assemble the nut and screw to the lever as shown.
2. Adjust the screw so it extends the correct amount.
3. When the upper is re-assembled, the lever should be pushed down slightly as the screw contacts the charging handle.