

# How to Order Collets and Pilots

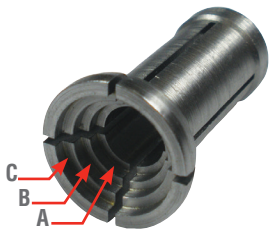


## Collet

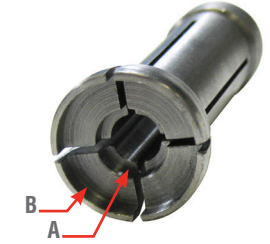
Determine your case diameter at its rim. See Table 4 or 5 and choose the Collet that will accept your case rim. (Tables 1 and 2 are given for reference and show the actual step dimensions of each Collet.)

**Note:** Original and Classic Case Trimmer Collets are not interchangeable.

**Table 1. Original (CT1010) and Power (PT1010) Case Trimmer Collet Step Dimensions**

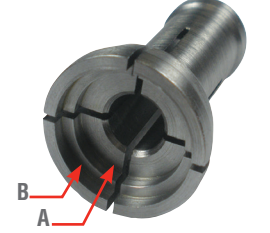


Order No. (Collet No.)	A	B	C
CT2001 (#1)	.379"	.473"	.532"
CT2002 (#2)	.350"	.418"	.506"
CT2003 (#3)	.356"	.440"	.545"

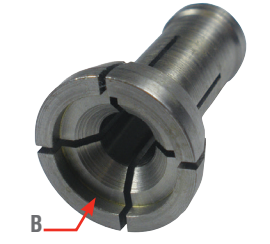


Order No. (Collet No.)	A	B
CT2004 (#4)	.310"	.605"

**Table 2. Classic (CLCT00) Case Trimmer Collet Step Dimensions**



Order No. (Collet No.)	A	B
CT2005 (#5)	.584"	.675"
CT2006 (#6)	.545"	.660"



Order No. (Collet No.)	A	B
CT2007 (#7)	—	.640"
CT2008 (#8)	—	.610"

**Notes:**

- Original Case Trimmers manufactured before June 1, 2010, required a Collet Housing enlargement to .610" when using the #4 Collet; those manufactured after this date already have this modification.
- #4 Collets manufactured after January 1, 2010, have two steps as shown in Table 1; those manufactured before this date have one step of .605".

## Pilot

Determine your bullet diameter and order the Pilot that is most appropriate. For example, Pilot 30 (CT1030) will handle all rounds that use a .308" diameter bullet, meaning that one Pilot will work for a variety of calibers, including the 30-06, 308, 30 Carbine, 7.62 NATO and 300 Wby. Mag.

**Note:** Original and Classic Case Trimmer Pilots are interchangeable.

**Table 3. Sequential Listing of Available Case Trimmer Pilots (all pilots below fit the Original, Classic, 50 BMG or Power Case Trimmers)**

Order Number	Number Stamped on Individual Pilot	Pilot Dia.
CT1017	17(1)	.171"
CT1020	20	.1995"
CT102-	2-	.2185"
CT1022	22	.2195"
CT1024	24	.2385"
CT1025	25	.2525"
CT1026	26	.2580"
CT1027	27	.2730"
CT1028	28	.2790"
CT1030	30	.3035"
CT1031	31	.3060"
CT1032	32	.3180"
CT1033	33	.328"
CT103-	3-	.333"
CT1034	34	.343"
CT1351	351	.351"
CT1035	35	.353"
CT1368	368	.3625"
CT1375	375	.3705"
CT1400	400	.3955"
CT1405	405	.4015"
CT1410	410	.4050"
CT1416	416	.4100"
CT1422	422	.4185"
CT1432	432	.424"
CT1452	452	.447"
CT1455	455	.450"
CT1458	458	.453"
CT1468	468	.4645"
CT1474	474	.4705"
CT1483	483	.4795"
CT1489	489	.4855"
CT1500	500	.4965"
CT1505	505	.5015"
CT1510	510	.5065"
CT1513	513	.5085"

**Note (1):** Requires 17 cal. Cutter Shaft.

# How to Order Collets and Pilots

**Table 4. Order Guide for **Original** (CT1010) and **Power** (PT1010) Case Trimmer Pilots and Collets (listed from smallest to largest bullet diameter)**

Cartridge Name	Bullet Diameter	Pilot Order Number	Collet Order Number
17 Rem.(1)	.172"	CT1017 <sup>(1)</sup>	CT2001
204 Ruger	.204"	CT1020	CT2001
22 Hornet, 22 K Hornet	.224"	CT102-(2)	CT2002 or CT2003
222 Rem., 222 Rem. Mag., 223 Rem., 225 Win., 22-250, 220 Swift, 221 Fireball, 22 PPC, 22 B.R. Rem.	.224"	CT1022	CT2001
218 Bee, 218 Mashburn, 219 Zipper, 219 Wasp	.224"	CT1022	CT2002
228 Krag, 22 Jet C.F. Mag., 224 Varminter, 224 Wby.	.224"	CT1022	CT2003
243 Win., 6mm Dasher, 6x47 Lapua, 244 Rem., 6mm B.R. Rem.	.243"	CT1024	CT2001
6mm PPC, 6mm Krag, 6mm Krag Long	.243"	CT1024	CT2003
257, 250 Ackley, 25 Souper, 25-06	.257"	CT1025	CT2001
25-20 Repeater, 25-35	.257"	CT1025	CT2002
25 Krag Imp., 256 Win.	.257"	CT1025	CT2003
250 Sav., 250-3000	.258"	CT1025	CT2001
25 Rem.	.259"	CT1025	CT2002
6.5x257 Jap., 256 Newton, 260 A.A.R., 264 Win. Mag., 260 Rem., 6.5x47 Lapua, 6.5x57 Mauser, 6.5mm Win.	.264"	CT1026	CT2001
6.5 Jap Mauser, 6.5x55 Swede, 6.5x55 SKAN	.264"	CT1026	CT2001
270 Win., 270 Sav., 270 Gibbs, 270 Wby., 270 Ackley, 257 H&H	.277"	CT1027	CT2001
7x57 Mauser, 7mm Wby., 7mm-08, 280 Rem., 284 Win., 7mm Rem. Mag., 7mm B.R. Rem.	.284"	CT1028	CT2001
7x64	.285"	CT1028	CT2001
30 Rem.	.307"	CT1030	CT2002
30-06, 308 Win., 300 Mag., 7.62 NATO, 300 Sav., 300 AAC BLK	.308"	CT1030	CT2001
30-30, 30 WCF, 7.5x55 Swiss	.308"	CT1030	CT2002
30-40 Krag, 30 Carbine, 30-40 Imp., 300 Rem. Ultra Mag., 300 Win. SHORT Mag. (300 WSM)	.308"	CT1030	CT2003
300 Norma Mag.	.308"	CT1030	CT2004 <sup>(3)</sup>
7.62x39	.311"	CT1030	CT2003
7.7mm Jap.	.311"	CT1031	CT2001
303 British, .65 Mauser	.312"	CT1031	CT2001
32-20	.312"	CT1031	CT2002
32 Rem., 32-40	.322"	CT1032	CT2002

Cartridge Name	Bullet Diameter	Pilot Order Number	Collet Order Number
8x57 Mauser K, 8x57JS, 8x57 Rimmed, 8x60, 7.92x57, 8mm-06, 8mm Mauser	.323"	CT1032	CT2001
32 Win. Spec.	.323"	CT1032	CT2002
333 Win., 33 Ackley	.333"	CT1033	CT2001
338 Win., 338 Win. Mag., 338 Gibbs, 340 Wby. Mag.	.338"	CT103-	CT2001
33 Win., 338 Norma Mag., 338 Lapua Mag.	.338"	CT103-	CT2004 <sup>(3)</sup>
348 Win.	.348"	CT1034	CT2004 <sup>(3)</sup>
9mm Luger	.355"	CT1351	CT2002
380 Auto	.356"	CT1351	CT2001
35 Rem., 358 Win., 358 Norma Mag.	.358"	CT1035	CT2001
38 Colt Super	.358"	CT1035	CT2002
38 Special, 357 Mag., 35 Win.	.358"	CT1035	CT2003
9.3mmx74R, 9.3mmx62	.366"	CT1368	CT2001
375 Mag., 375-06, 375 Barnes, 375 Wby., 375 Ackley, 375 H&H, 375 Ruger	.375"	CT1375	CT2001
375 Win.	.375"	CT1375	CT2002
38-50, 378 Wby.	.375"	CT1375	CT2004 <sup>(3)</sup>
38-40	.400"	CT1400	CT2001
10mm Auto Pistol, 40 S&W	.400"	CT1400	CT2003
41 Colt, 401 Win., 41 S&W	.401"	CT1400	CT2001
41 Rem Mag.	.410"	CT1410	CT2002
416 Wby., 416 Rigby	.416"	CT1416	CT2004 <sup>(3)</sup>
44-40	.429"	CT1432	CT2001
44 S&W Spec., 44 Rem Mag., 44 Marlin Mag.	.430"	CT1432	CT2001
45-90 Sharps Straight	.451"	CT1452	CT2004 <sup>(3)</sup>
45 ACP, 45 Auto Rim., 45 Win. Mag.	.452"	CT1452	CT2001
45 Long Colt	.452"	CT1452	CT2001 or CT2002
450 Watts, 458 Win., 450 Ackley Mag., 460 Wby.	.458"	CT1458	CT2001
45-70	.458"	CT1458	CT2004 <sup>(3)</sup>

**Notes:**

- (1) Requires 17 cal. Cutter Shaft.
- (2) Valid when using a .223" dia. bullet.
- (3) Original Case Trimmers manufactured before June 1, 2010, required a Collet Housing enlargement to .610" when using the #4 Collet; those manufactured after this date already have this modification.

**Custom Machining Services**



We can manufacture any custom Case Trimmer Pilot within the size range of .171" to .508" or Case Trimmer Collet within the size range of .275" to .600"

**Web**



Tables 4 and 5 do not show every cartridge that may be trimmed with our Case Trimmers. Use our Case Trimming Tools and Accessories Search if your cartridge is not listed here. Go to [search.forsterproducts.com](http://search.forsterproducts.com).

# How to Order Collets and Pilots

**Table 5. Order Guide for Classic (CLCT00) Case Trimmer Pilots and Collets (listed from smallest to largest bullet diameter)**

Cartridge Name	Bullet Diameter	Pilot Order Number	Collet Order Number
280 Halger Mag.	.284"	CT1028	CT2005
208 Jefferey, 280 Ross HDS Cyl.	.287"	custom <sup>(2)</sup>	CT2006
280 Nitro Express Rimmed Flanged	.287"	custom <sup>(2)</sup>	CT2008
7.62x54 Russian, 30 Holland Super 30 Mag. Flanged	.308"	CT1030	CT2005
7.7x60 R	.308"	CT1030	CT2008
303 Mag.	.311"	CT1031	CT2005
333 Jefferey Flanged, 333 Rimmed Jefferey Flanged	.333"	CT1033	CT2007
33 Win.	.338"	CT103-	CT2008
35 Newton	.357"	CT1035	CT2006
35 Win.	.358"	CT1035	CT2006
360 Nitro Express #2	.367"	CT1368	CT2007
9.5x47 R <sup>(1)</sup> , 375 Mag. Flanged, 378 Wby.	.375"	CT1375	CT2005
9.5x73 Miller Greiss Mag.	.375"	CT1375	CT2006
369 Nitro Express Purdy	.375"	CT1375	CT2007
38-56 Win.	.375"	CT1375	CT2008
38-90 Win. Express	.376"	CT1375	CT2005
38-72 Win.	.376"	CT1375	CT2006
38-70 Win.	.376"	CT1375	CT2008
40-90 Sharps Straight	.403"	CT1400	CT2005
40-60 Marlin, 40-90 Sharps Bottle Neck, 40-70 Sharps Bottle Neck	.403"	CT1400	CT2008
40-50 Sharps Straight	.403"	CT1400	custom <sup>(2)</sup>
40-60 Win. <sup>(1)</sup>	.404"	CT1405	CT2007
10.25x69 R, 450-400 Nitro Express for Black Powder 2 3/8"	.405"	CT1405	CT2007
40-70 Win.	.405"	CT1405	CT2008
40-65 Win.	.406"	CT1405	CT2008
40-82 Win.	.408"	CT1405	CT2008
450-400 Nitro Express Birmingham Proof	.410"	CT1410	CT2007
40-75 Ballard	.410"	CT1410	CT2008
405 Win.	.411"	CT1410	CT2006
416 Rigby	.416"	CT1416	CT2005
10.3x60 Swiss	.416"	CT1416	CT2007
33-70 Maynard 1882	.416"	CT1416	CT2008

Cartridge Name	Bullet Diameter	Pilot Order Number	Collet Order Number
11mm German Service Revolver <sup>(1)</sup> , 404 Jefferey Rimless Nitro Express	.422"	CT1422	CT2006
11mm Belgian Albini, 11mm Belgian Comblain	.432"	CT1432	CT2005
11mm Murata	.432"	CT1432	CT2007
43 Rem. Spanish	.440"	custom <sup>(2)</sup>	CT2007
44-100 Sharps, 44-77 Sharps Rem., 44-90 Sharps Win., 44-105 Sharps Win., 44-100 Sharps Win.	.446"	custom <sup>(2)</sup>	CT2007
45-100 Sharps Straight	.451"	CT1452	CT2008
500-450 Mag. Nitro Express 3 1/4"	.454"	CT1455	CT2006
45-60 Win.	.454"	CT1455	CT2007
45-100 Ballard	.454"	CT1455	CT2008
45-82 Win., 45-90 Win.	.457"	CT1458	CT2008
11mm Beaumont M/71	.458"	CT1458	CT2005
458 Lott	.458"	CT1458	CT2006
450 Nitro Express Straight 3 1/4", 460 Guns and Ammo Mag.	.458"	CT1458	CT2007
45-120 Sharps Straight, 45-70 Gov.	.458"	CT1458	CT2008
500-465 Nitro Express	.468"	CT1468	CT2006
44-60 Sharps Rim <sup>(1)</sup>	.468"	CT1468	CT2007
470 Nitro Express	.474"	CT1474	CT2006
470 Capstick	.475"	CT1474	CT2006
476 Nitro Express	.476"	CT1474	CT2006
474 #2 Nitro Express 3 1/2"	.483"	CT1483	CT2005
50 Action Express <sup>(1)</sup>	.502"	CT1500	CT2006
505 Gibbs Mag.	.505"	CT1505	CT2007
500 Nitro Express 3 1/4", 500 Nitro Express 3"	.510"	CT1505 or CT1510	CT2006
50-140 Sharps 3 1/4", 50-90 Sharps	.510"	CT1510	CT2005
50-115 Ballard	.510"	CT1510	CT2007
50-70 Gov. <sup>(1)</sup>	.513"	CT1513	CT2005
50-95 Win. <sup>(1)</sup>	.513"	CT1513	CT2007

**Notes:**

- (1) Requires Standard Case Trimmer Base (CT1010-CTB101).
- (2) Requires Custom Machining Services.



**WARRANTY**

All Forster Products are warranted against defects in materials and workmanship for the life of the product. Parts which, by nature of their function, are subject to normal wear (such as springs, pins, etc.) and parts which have been altered, abused or neglected, are excluded from the warranty. If the product is deemed defective by workmanship or materials, it will be repaired, reconditioned or replaced (at Forster's option). This warranty supersedes all other warranties for Forster Products whether written or oral.